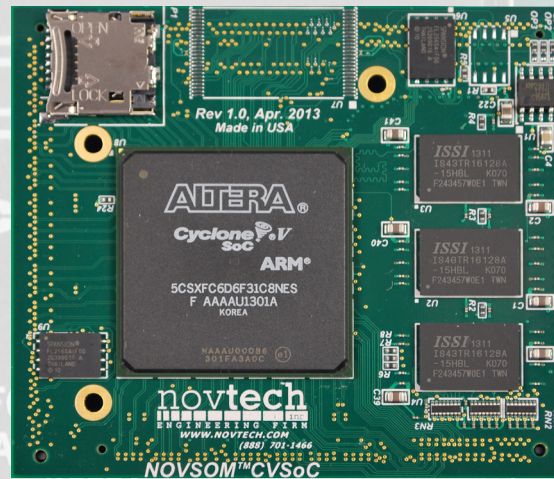


NOVSOM®CV

System on Module

Unleash the power of the Intel Cyclone V SoC



NOVSOM®CV



FPGA Design
Solutions Network
Platinum



Kit Contents:

Hardware

- Cyclone V SoC Module

Software and documentation

- SD card with Linux image and example code
- Linux VM with Intel tools
- FPGA VHDL reference designs

NOVSOM®CV System-on-Module featuring the latest Intel® Cyclone V with Dual core Arm Cortex®-A9

The latest NovTech SoM brings to customers all the benefits of the SoC while accelerating the design of an application board and eliminating the need to develop the DDR interface and boot devices. The use of NOVSOM® will provide users with a proven small form factor SoM allowing them to focus their design efforts on the required peripherals in their application.

Features

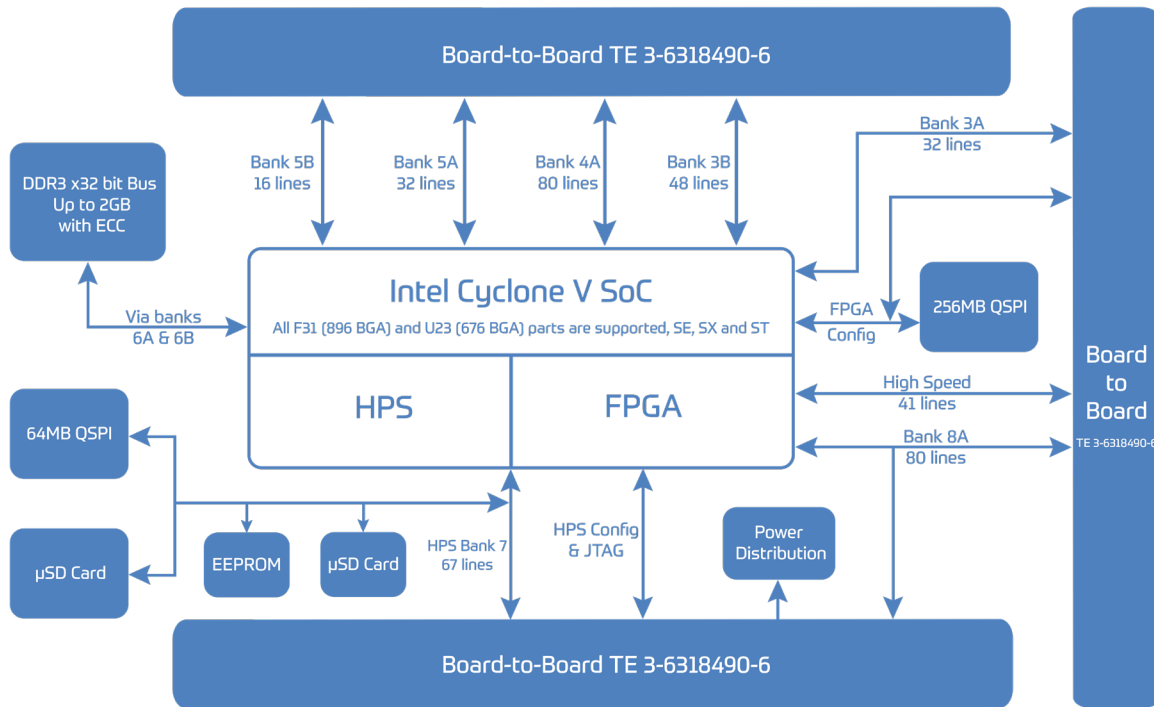
- All programmable signals are present on the Board-to-Board connectors (B2B), 288 FPGA signals and 67 HPS (Arm Hard-core) signals and 21 pairs of High-speed signals when the Cyclone® V FPGA F31 package is used.
- Accommodates all Intel® documented boot options.
- Allows designers to assign any desired voltage to any I/O bank including Vref.
- Up to 2GB DDR3 with ECC support (ISSI).
- Up to 8GB SLC NAND Flash for HPS boot or general solid state storage.
- Up to 64MB QSPI Flash for HPS boot or general solid state storage.
- µSD slot connected to HPS.
- Up to 64MB QSPI Flash for FPGA boot or general solid state storage.
- EEPROM for general solid state storage.
- HPS clock
- Three Board-to-Board connectors, 5 mm and 8 mm height options, COM Express® type.
- Mounting holes on module allowing secure attachment to the base-board.

NovTech Services:

- Design and prototype of base-boards with four to six weeks lead time
- Design and prototype of a custom single board solution
- OS port and device driver development (Linux, Android)

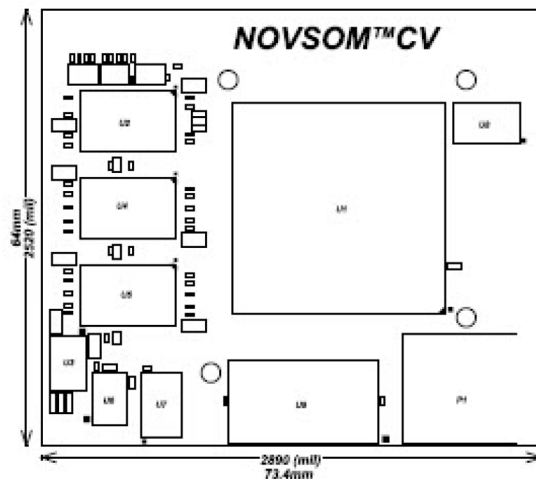
P/N: **NOVSOMCV6FSX2-SL-31E-F-C**

For customization of NOVSOM®CV please review the NOVSOM®CV ordering guide. Contact NovTech for pricing and availability.



NOVSOM®CV Block Diagram

- SoM dimensions: 2.89" (73.4mm) by 2.52" (64mm)
- Requires three B2B connectors on carrier board, P/N: TE 3-1827253-6. Consult with Arrow for special pricing for these connectors.
- Available in Commercial, Industrial and Automotive temperature ranges.



NovTech is a recognized third party and partner with some of the leading IC manufacturers and CAD companies



FPGA Design Solutions Network
Platinum

