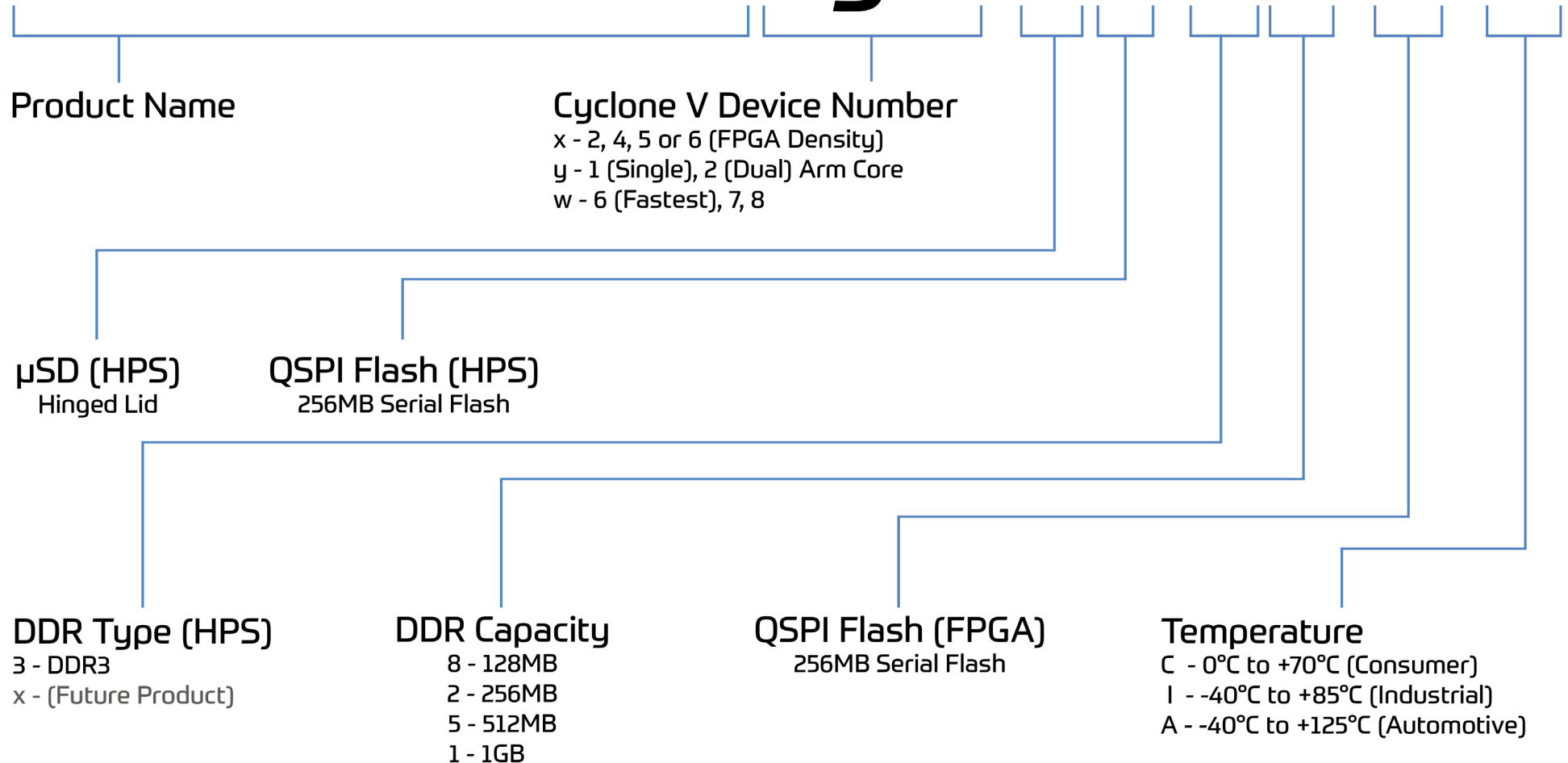


# NOVSOM®CVLxyw-SF-TY-F-K



### Examples of Valid Parts Numbers:

#### **NOVSOM®CVL218-S-32-C (stocking part)**

SoM with Cyclone V 5CSEBA2 484 BGA, Single Arm® core, µSD slot (lock type), 256MB DDR3, Consumer Temperature Range.

#### **NOVSOM®CVL527-S-35-F-I**

SoM with Cyclone V 5CSEBA5 484 BGA, Dual Arm® core, µSD slot (lock type), 512MB DDR3, 256MB QSPI (FPGA), Industrial Temperature Range.

#### **NOVSOM®CVL618-F-31-A**

SoM with Cyclone V 5CSEBA6 484 BGA, Single Arm® core, 256MB QSPI (HPS), 1GB DDR3, Automotive Temperature Range.